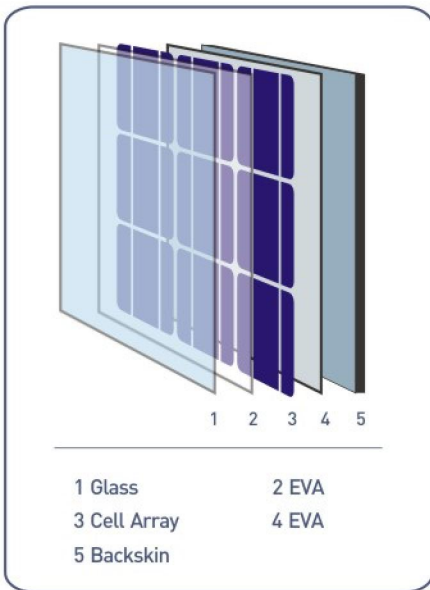




A CHINT COMPANY

ASTROnergy
S O L A R

CHSM 5409M



AVAILABLE WATTAGES

75

80

85

90

95

THE ASTRONERGY PROMISE: "WE DO QUALITY"

- Astronergy's photovoltaic modules offer excellent performance for solar projects.
- Each cell is carefully manufactured to ensure consistent performance in any module array.
- Our modules are crafted according to the highest quality control standards in our state-of-the-art manufacturing facilities.

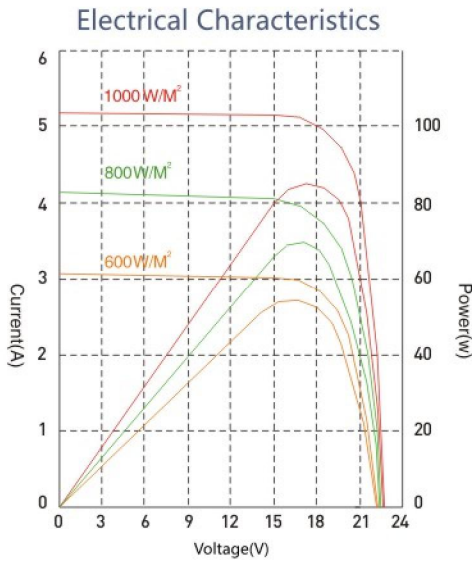
AGENT' S STAMP

SOLCO
CHOICE ELECTRIC
Distributed by Solco Choice Electric



CHSM 5409M

Electrical Characteristics

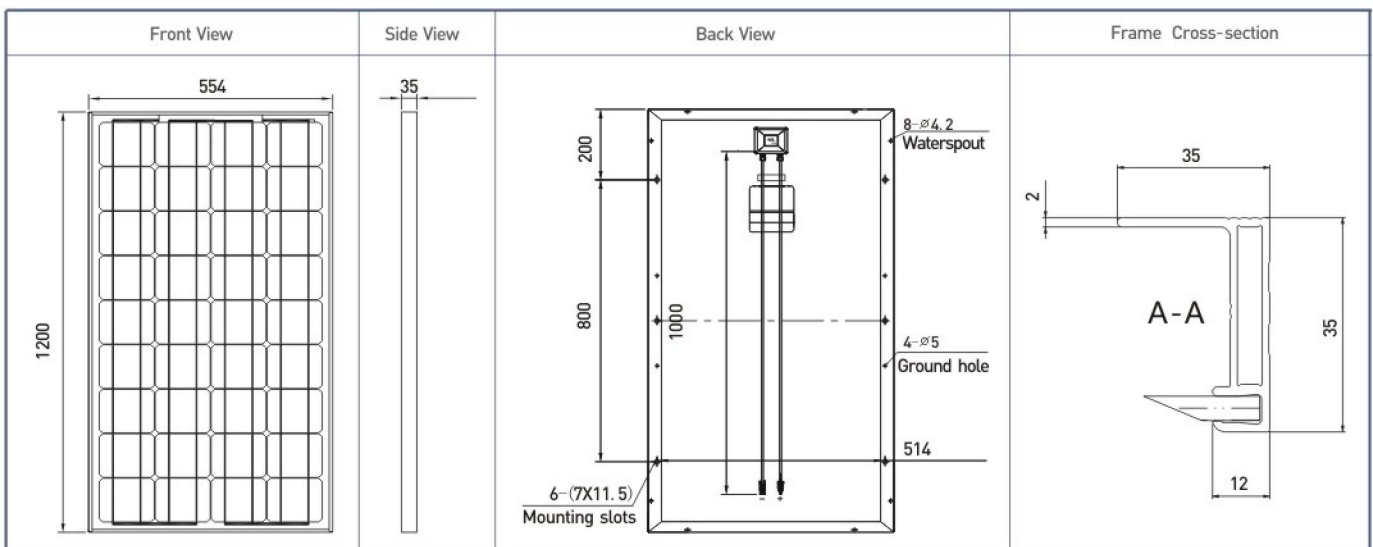


Pmax(Wp)	75	80	85	90	95
Isc(A)	5.21	5.28	5.36	5.43	5.47
Voc(V)	21.5	21.8	22	22.3	22.5
Imp(A)	4.81	4.88	4.97	5.03	5.12
Vmax(V)	15.59	16.39	17.1	17.8	18.5
Tolerance(W)	±3%				
Max. System Voltage(V)	DC1000V				
NOCT	47±2°C				
Power Temp.Coeff(/°C)	-0.511%				
Current Temp.Coeff(/°C)	0.055%				
Current Temp.CoeffVoltage Temp.Coeff(/°C)	-0.374%				
Ambient Temp(°C)	-40~85				
Max.Mechanical Load(Kg/m²)	240				
Test Condition	Irradiance of 100 mW/cm²,AM1.5 Spectrum, and a Cell Temperature of 25°C				

Dimension Characteristics

Length	1200mm	Width	554mm
Height	35mm	Weight	10kg
Cell Type	125*125(mm) Monocrystalline Silicon		
Cell Matrix	4×9	Cell Number	36
Frame	Aluminum Alloy		

Front View and Back View



Unit:mm